

84000ABR Series Air Loaded Back Pressure Regulator

BULLETIN NO. 84.1.ABR
OCTOBER 1997

SPECIFICATIONS

BODY SIZES:	1", 1-1/2", & 2"
MODEL NUMBER:	84000ABR
SHUTOFF CLASS:	ANSI/FCI 70-2, Class VI
WIDE OPEN FLOW	
COEFFICIENT:	1" = 8, 1-1/2" = 35, 2" = 43
F_L FACTOR:	0.8
CONNECTIONS:	Tri-Clover /Tri-Clamp (Optional Welding Ends)
BONNET:	Quick-Disconnect
INTERNAL BODY FINISH:	180 Grit / 25-35 Ra Microinch/ (Wetted Interior) 0.64 - 0.89 Ra Micron (Optional: 240 Grit / 15-20 Ra Microinch / 0.38 - 0.51 Ra Micron)
MAX. OPERATING TEMP.:	250°F
MAX. BODY PRESS. RATING:	150 psig
MAX. LOADING PRESSURE:	100 psig
PRESSURE SETTING	Pressure Loading Extended Range
ADJUSTMENT:	(Airset, panel loader, I/P, etc...)
OPTIONS:	"Zero Dead Leg" Construction

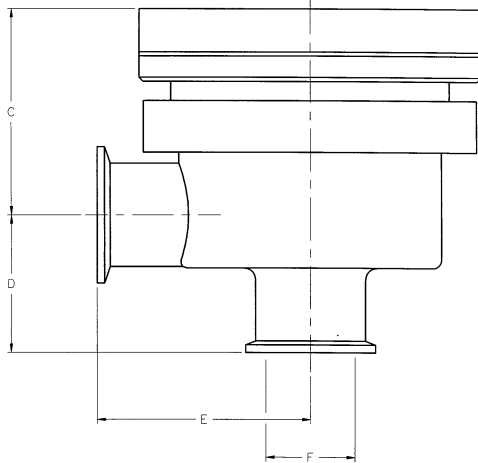


TYPICAL WATER RELIEF CAPACITIES GPM

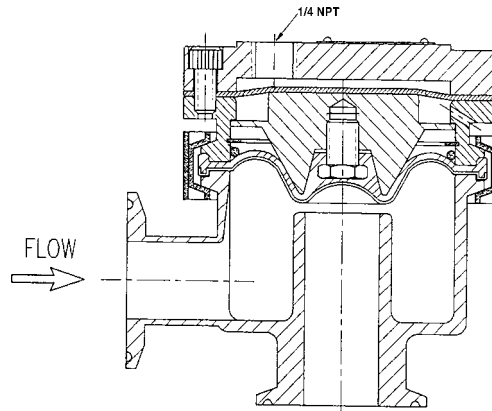
VALVE SIZE	RELIEF PRESSURE SETTING	PRESSURE BUILDUP OVER RELIEF SETTING PSIG						
		2	4	6	8	10	15	20
1"	5	2.6	9.0	13.3	18.1	27.8	35.7	40.0
	10	2.4	9.35	15.2	21.2	26.4	40.0	43.8
	20	0.5	2.0	5.1	10.6	15.8	30.7	43.0
	30	0.5	1.2	3.0	6.2	8.2	20.2	30.4
1-1/2"	5	13.2	45.0	66.3	104.6	135.5	156.5	175.0
	10	6.9	44.9	70.0	106.1	134.2	175.0	191.7
	20	4.7	9.8	20.4	52.9	76.7	153.8	208.7
	30	4.5	5.8	9.0	30.8	44.3	100.6	155.6
2"	5	16.4	55.2	81.6	128.4	166.5	192.3	215.0
	10	8.6	55.0	86.0	130.3	164.6	215.0	235.5
	20	5.6	12.3	24.9	65.1	94.2	188.7	256.2
	30	5.1	6.9	10.8	38.2	54.4	123.4	191.6

ADDITIONAL FEATURES:

- Remotely adjusted set point via a local or remote pneumatic instrument (ie., panel loader).
- Self-draining inlet when properly installed.
- Nonporous polished stainless steel body and internals for high purity processing.
- Meets 3A Standard requirements.



84000ABR DIMENSIONS



PREFERRED MOUNTING
FOR SELF-DRAINING

84000ABR SERIES DIMENSIONS AND WEIGHTS

VALVE SIZE	DIMENSIONS				WEIGHT
	C	D	E	F	
1"	2.6	1.38	2.50	0.87	5 lbs
1-1/2"	3.0	2.0	3.25	1.356	10 lbs
2"	3.28	2.0	3.5	1.875	11 lbs

MATERIALS OF CONSTRUCTION:

BODY	316L SS
BONNET / FLANGE	304 SS
CLOSURE DIAPHRAGM	PTFE Covered EPDM Elastomer (FDA SPEC. 175.300 & 177.2600)
LOADING DIAPHRAGM	Neoprene / Nylon

This product may be covered under one or more of the following patents 4,609,178 or under pending patent applications.

The contents of this publication are presented for informational purposes only, and while every effort has been made to ensure their accuracy, they are not to be construed as warranties or guarantees, express or implied, regarding the products or services described herein or their use or applicability. We reserve the right to modify or improve the designs or specifications of such products at any time without notice.