

8400BR Series Back Pressure Regulating and Relief Applications

SPECIFICATIONS

BODY SIZE: 1", 1-1/2", & 2"
SEAT LEAKAGE: ANSI/FCI 70-2, Class VI
INTERNAL BODY FINISH:
(WETTED INTERIOR)

Standard	180 Grit / 25 - 35 Ra Microinch / 0.64 - 0.89 Ra Micron
Optional	240 Grit / 15 - 20 Ra Microinch / 0.38 - 0.51 Ra Microinch

END CONNECTIONS: Tri-Clover/Tri-Clamp
(Optional Welding Ends)
MAXIMUM INLET PRESSURE: 150 psi
 (Set pressure plus build-up)
VALVE BODY: 316L SS
MAXIMUM OPERATING TEMP.: 310°F
SPRING BARREL: 304 SS
ADJUSTING SCREW COVER: 303 SS
CLOSURE DIAPHRAGM: PTFE Covered EPDM Elastomer
 (FDA Spec. 175.300 & 177.2600)
OPTIONS: "ZERO DEAD LEG" Construction
 See Figure 2.



BODY SIZES:	1"	1-1/2"	2"
MODEL NUMBER:	84071BR	84351BR	84431BR
SPRING RANGES: (ADJUSTABLE)	2-15 PSI, 5-20 PSI, 10-50 PSI, 20-100 PSI	2-10 PSI, 10-40 PSI, 25-70 PSI	2-10 PSI, 10-40 PSI, 25-70 PSI

FLOW CAPACITIES

WATER IN GPM

SET PRESSURE PSIG	SIZE 1"	SIZE 1-1/2"	SIZE 2"
5	3	6	7
10	6	12	14
15	9	18	22
20	12	20	24
30	14	22	27
50	16	25	30
70	18	28	--
100	22	--	--

AIR IN SCFH

SET PRESSURE PSIG	SIZE 1"	SIZE 1-1/2"	SIZE 2"
5	12	24	29
10	24	48	58
15	40	80	98
20	50	90	110
30	60	95	115
50	80	125	150
70	100	155	--
100	140	--	--

SATURATED STEAM IN LBS/HR

SET PRESSURE PSIG	SIZE 1"	SIZE 1-1/2"	SIZE 2"
5	30	60	72
10	65	130	158
15	130	250	300
20	160	275	330
30	210	320	390
50	260	400	480
70	320	500	--
100	--	--	--

Capacity based on 20% build-up in pressure. (For 10% build-up, multiply flow rate by 0.5).



**84000BR SANITARY BACK PRESSURE REGULATING
AND RELIEF VALVE INSTALLATION
(Cross-section)**

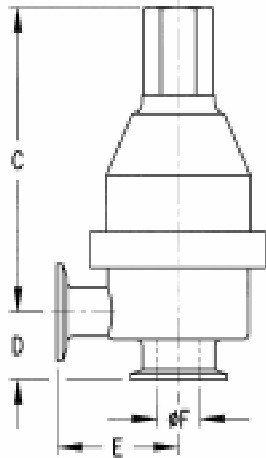
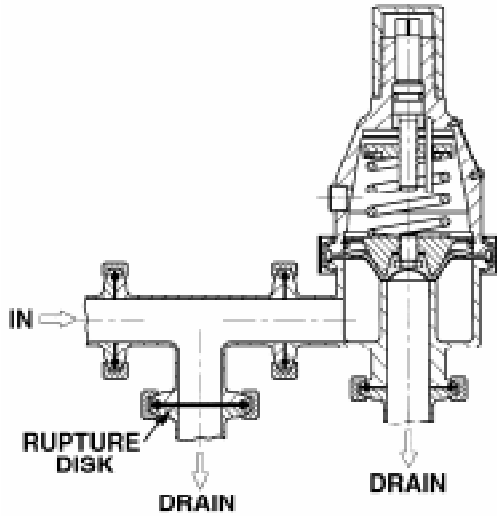


Figure 1

**84000BR THRU-PROCESS
(ZERO DEAD LEG) CONNECTIONS**

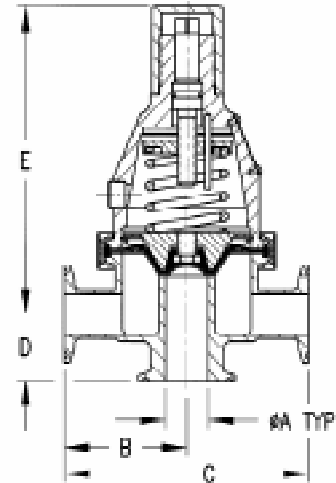
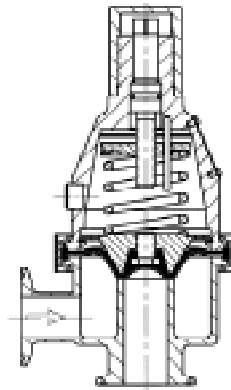
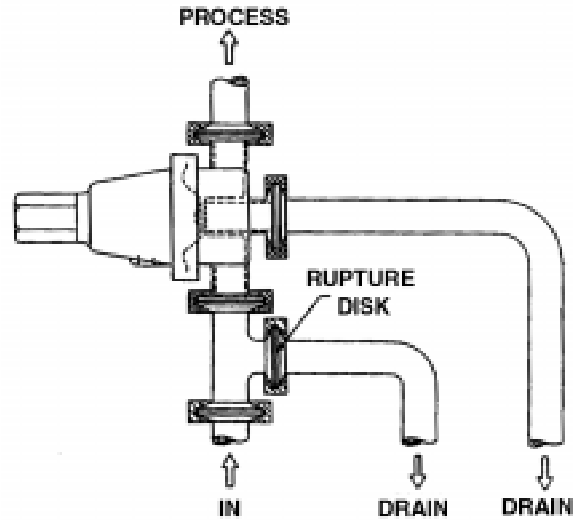


Figure 2

84000BR SERIES DIMENSION & WEIGHT (Figure 1)

VALVE SIZE	DIMENSIONS				WEIGHTS (Lbs)
	C	D	E	F	
1"	6.32	1.38	2.50	.870	5
1-1/2"	7.86	2.00	3.25	1.356	13
2"	8.11	2.00	3.50	1.875	14

84000BR "ZERO DEAD LEG" SERIES DIMENSION & WEIGHT (Figure 2)

VALVE SIZE	DIMENSIONS					WEIGHTS (Lbs)
	A	B	C	D	E	
1"	.870	2.50	5.00	1.38	6.4	7
1-1/2"	1.356	3.25	6.50	2.00	7.9	15
2"	1.875	3.50	7.00	2.00	8.1	16

This product may be covered under one or more of the following patents 4,609,178 or under pending patent applications.

The contents of this publication are presented for informational purposes only, and while every effort has been made to ensure their accuracy, they are not to be construed as warranties or guarantees, express or implied, regarding the products or services described herein or their use or applicability. We reserve the right to modify or improve the designs or specifications of such products at any time without notice.

For Information, contact:

H.D. Baumann Inc.

35 Mirona Road

Portsmouth, NH 03801

Tel: (603) 436-2044/Fax: (603) 436-4901

H.D. BAUMANN INC.

Subsidiary of Fisher Controls International, Inc.