

24000SB Series Barstock Control Valve

This rugged control valve is recommended for low flow, high pressure, industrial control applications.

A type 316L stainless steel barstock valve body and bonnet is suitable for process pressures to 3000 psig (206.9 bar) and ideal for applications that exceed the operating range of our 24000S and 24000F series.

Various end connections ranging from threaded (standard), buttweld, and flanged add versatility to this high pressure product line.

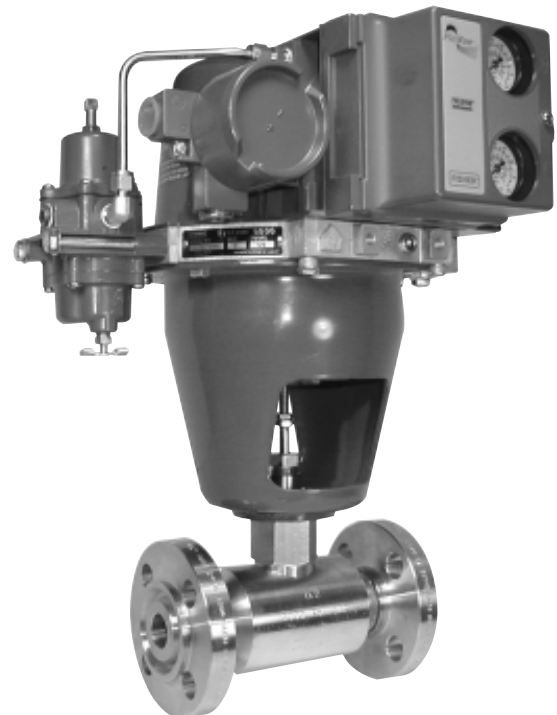
Special Alloy constructions available; Monel, Hastelloy C, and Alloy 20 round-out the basic type 316L stainless steel offering.

FEATURES:

- Suitable for maximum service pressure of 3000 psig (206.9 bar).
(See Pressure-Temperature Table on page 3.)
- Compact and light weight design reduces installed piping costs.
- Multiple trim capacity reductions available to meet changing process requirements with Cv ratings as low as 0.0005.
- Optional extended bonnet for applications ranging from -320°F (-195°C) to 1000°F (537°C).
- Epoxy powder coated actuator with stainless steel fasteners for maximum corrosion resistance.
- Optional ENVIRO-SEAL^(R) packing system to meet critical emission control requirements (available with size 54 actuator only).
- FIELDVUE digital valve controller available for remote calibration and diagnostics.
- Available with Fisher System 9000 FloVue^(R) actuator. Built-in travel stops make it the recommended actuator for use with type 177 low flow trim.

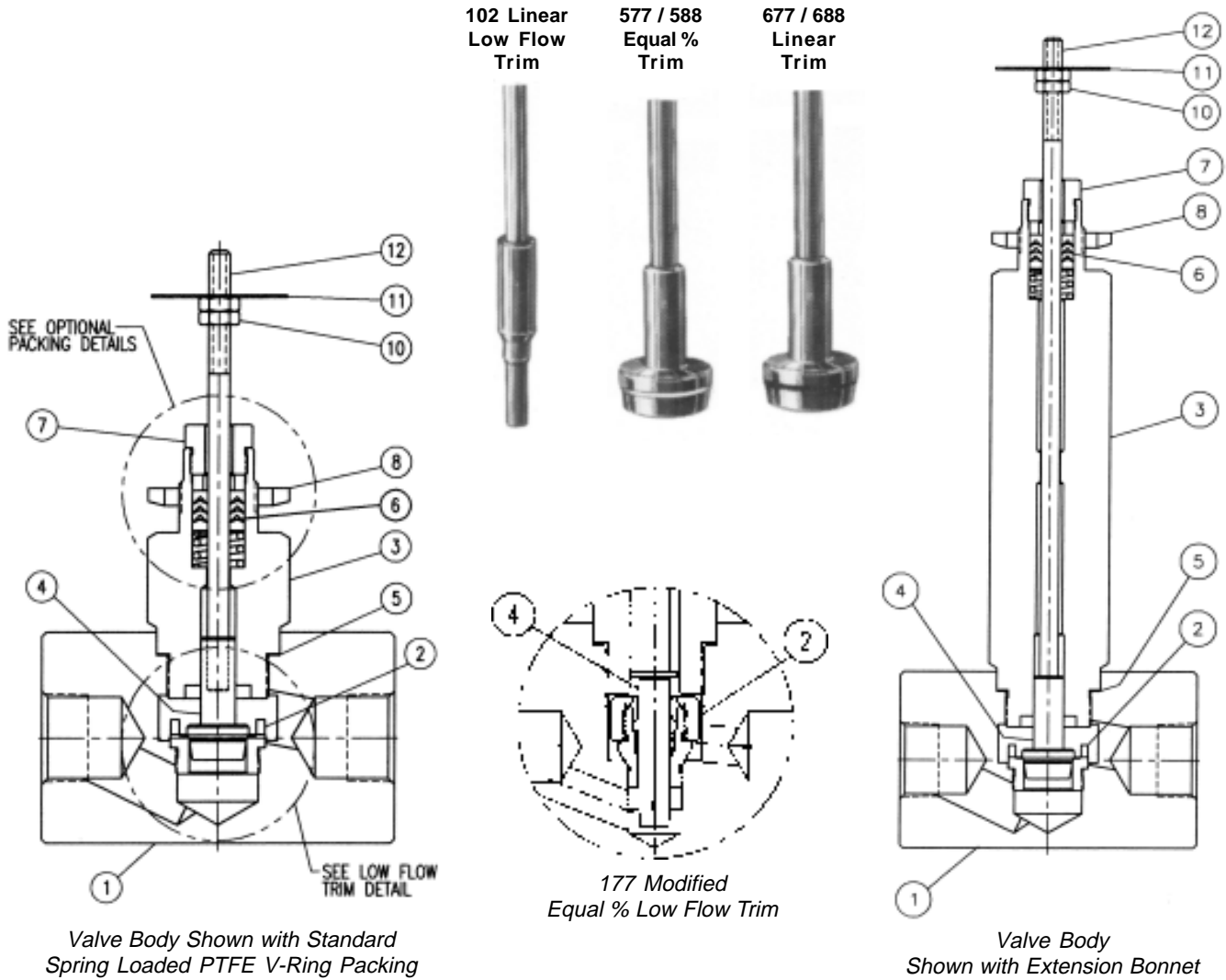


Shown with Size 32 Actuator and 3660/3661 Positioner



Shown with Size 12 System 9000 FloVue^(R) Actuator, FIELDVUE Controller and 67CFR Airster





MATERIALS OF CONSTRUCTION

KEY NO.	DESCRIPTION	MATERIAL				
		-320°F (-195°C)	-100°F (-73°C)	-50°F (-46°C)	450°F (232°C)	+1000°F (537°C)
1	Body (A)	Barstock ASTM A479 S31600/S31603 Dual Certified				
2	Seat Ring (A)	ASTM A276 S31600 for plug series 102, 577, 588, 677, 688 316SS with reinforced PTFE insert for 177 style trim				
3	Bonnet (Standard) (A)	ASTM A479 S31600/S31603 Dual Certified				
	Bonnet (Extended)	ASTM A479 S31600/S31603 Dual Certified				
4	Plug (Metal Seat) (A)	Cv ≤ 2.5 (Kv ≤ 2.16) - Nitronic 60 / Cv ≥ 3.8 (Kv ≤ 3.28) - 316SS				
	Plug (Soft Seat)	ASTM A479 S31600 with PTFE Insert				
5	Body Gasket	Reinforced Graphite				
6	Standard Packing	Spring Loaded PTFE V-Ring				
	Packing (Optional)	Molded Graphite Ribbon ENVIRO-SEAL ^(R) PTFE				
7	Packing Follower (A)	ASTM A276 S31600				
8	Drive Nut (Yoke)	ASTM A194 S30400 Gr. 8				
10	Nut, Jam	304 SS				
11	Travel Indicator	304 SS				
12	Stem (A)	ASTM A276 S31600				

NOTE A: Optional valve and/or trim materials available such as Hastelloy C, Monel, Alloy 20 and other alloy materials. Consult Factory for price and delivery.

MODEL NUMBERING SYSTEM

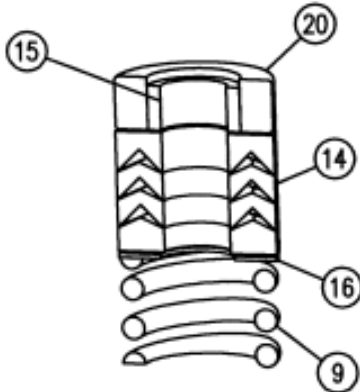
	24	
ACTUATOR	BODY SERIES	
32		
54		
70		
9000		

TRIM STYLE	CHARACTERISTIC	SEAT LEAKAGE
102	Linear / Metal Seat	IV
177*	Mod. Equal % / PTFE Seat	VI
577	Equal % / PTFE Seat	VI
588	Equal % / Metal Seat	IV
677	Linear / PTFE Seat	VI
688	Linear / Metal Seat	IV

S	B	
BODY MATERIAL**	BARSTOCK BODY	BONNET STYLE
S 316SS		-- Std
		E Ext

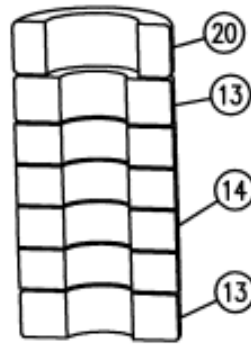
* Recommend using Fisher 9000 Actuator when choosing 177 trim with DVC5000 series positioner.

**Consult factory for alternate materials.



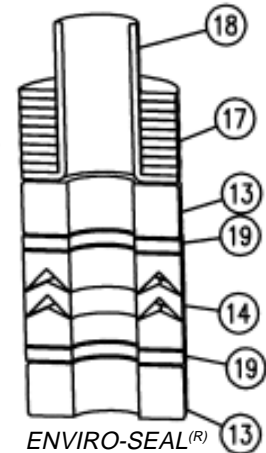
Spring Loaded PTFE V-Ring Packing Kit (Standard)

KEY NO.	DESCRIPTION	MATERIAL
9	Spring	ASTM A313 S30200
14	Packing Set	PTFE
15	Guide Bushing	PTFE Lined Filament wound Fiberglass
16	Washer	ASTM A240 S31600
20	Spacer	ASTM A582 S30300



Molded Graphite Ribbon Packing Kit (Optional)

KEY NO.	DESCRIPTION	MATERIAL
13	Bushing	Carbon-Graphite
14	Packing Rings (4)	Graphite
20	Spacer	ASTM A582 S30300



ENVIRO-SEAL^(R) Packing Kit System

(Optional with size 54 actuator only)

KEY NO.	DESCRIPTION	MATERIAL
13	Bushing	Carbon Graphite
14	Packing Set	PTFE
17	Belleville Spring	ASTM B637 N07718
18	Bushing	PEEK
19	Washer	PTFE, Filled Gylon

PRESSURE-TEMPERATURE RATINGS (316L SS Body)

CAUTION: When valve is furnished with CL 150 through 900 flanges the pressure temperature ratings are limited to the values published in ANSI B16.34. Valve assembly with CL 1500 flanges are derated to 3000 psig maximum CWP.

TEMPERATURE (°F)	WORKING PRESSURE (PSIG)	TEMPERATURE (°C)	WORKING PRESSURE (BAR)
-320 to 100	3000	-195 to 37.8	206.9
200	2580	93.3	177.9
300	2330	149	160.7
400	2141	204	147.7
450	2066	232	142.5
500	1992	260	137.4
550	1936	288	133.5
600	1880	316	129.7
650	1849	343	127.5
700	1810	371	124.8
750	1779	399	122.7
800	1758	427	121.2
850	1742	454	120.1
900	1729	482	119.2
950	1609	510	111.0
1000	1458	538	100.6

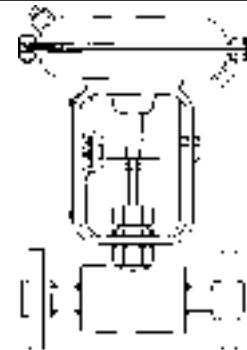
Consult factory for other material pressure/temperature ratings.

SPECIAL PACKING NOTE:

The ENVIRO-SEAL PTFE packing system is suitable for 550 ppm environmental applications on services up to 750 psig (51.7 bar) and temperatures ranging from -50 to 450°F (-46 to 232°C).

For nonenvironmental applications, this packing system offers superior sealing performance at the same temperature range up to the maximum valve working pressure.

(Reference *Fisher Packing Selection Guidelines For Sliding-Stem Valves*, Bulletin 59.1:062)



Optional Welded on Flanges (CL150 to 1500)

WARNING! - Refer to Pressure-Temperature Ratings Table on page 3
and consult your local Fisher Sales Office for potential cavitation and noise concerns!

ALLOWABLE PRESSURE DROPS FOR BAUMANN SIZE 32, 54, & 70 ACTUATORS (psi)

Orifice Dia. (in.)	Plug Travel (in.)	Act Type	AIR TO OPEN ACTION					AIR TO CLOSE ACTION				
			Bench Range (psi)	3-15 psi SIGNAL TO ACTUATOR		WITH POSITIONER 20 psig AIR SUPPLY		Bench Range (psi)	3-15 psi SIGNAL TO ACTUATOR		WITH POSITIONER 20 psig AIR SUPPLY	
				Max CL IV Shutoff Pressure	Max CL VI Shutoff Pressure	Max CL IV Shutoff Pressure	Max CL VI Shutoff Pressure		Max CL IV Shutoff Pressure	Max CL VI Shutoff Pressure	Max CL IV Shutoff Pressure	Max CL VI Shutoff Pressure
0.25	1/2"	32	5-15	860	---	1725	---	3-13	800	---	2800	---
		32	7-15	1575	---	2360	---	3-10	2000	---	3000	---
		54	8-15	3000	---	3000	---	3-10	3000	---	3000	---
0.3125	1/2"	32	7-15	---	1425	---	2275	3-10	---	1725	---	3000
		54	9-15	---	3000	---	3000	3-10	---	3000	---	3000
0.375	1/2"	32	7-15	840	660	1260	1080	3-10	1000	820	2130	1500
		54	9-15	1690	1500	2370	1500	3-10	1690	1500	3000	1500
		70	9-15	2800	1500	3000	1500	---	---	---	---	---
0.8125	1/2"	54	11-15	680	580	850	750	3-10	410	320	830	740
		70	10-15	820	720	1050	950	---	---	---	---	---

CAUTION NOTE: BAUMANN SIZE 32 ACTUATOR NOT AVAILABLE WITH GRAPHITE RIBBON OR ENVIRO-SEAL^(R) PACKING SYSTEMS!

ALLOWABLE PRESSURE DROPS FOR BAUMANN SIZE 32, 54, & 70 ACTUATORS (bar)

Orifice Dia. (mm)	Plug Travel (mm)	Act Type	AIR TO OPEN ACTION					AIR TO CLOSE ACTION				
			Bench Range (bar)	0.21-1.0 bar SIGNAL TO ACTUATOR		WITH POSITIONER 1.4 bar AIR SUPPLY		Bench Range (bar)	0.21-1.0 bar SIGNAL TO ACTUATOR		WITH POSITIONER 1.4 bar AIR SUPPLY	
				Max CL IV Shutoff Pressure	Max CL VI Shutoff Pressure	Max CL IV Shutoff Pressure	Max CL VI Shutoff Pressure		Max CL IV Shutoff Pressure	Max CL VI Shutoff Pressure	Max CL IV Shutoff Pressure	Max CL VI Shutoff Pressure
6.4	12.7	32	0.34-1	59.3	---	118.9	---	0.20-0.89	55.2	---	193.1	---
		32	0.48-1	108.6	---	162.8	---	0.20-0.68	137.9	---	206.9	---
		54	0.55-1	206.9	---	206.9	---	0.20-0.68	206.9	---	206.9	---
7.9	12.7	32	0.48-1	---	98.3	---	156.9	0.20-0.68	---	118.9	---	206.9
		54	0.62-1	---	206.9	---	206.9	0.20-0.68	---	206.9	---	206.9
9.5	12.7	32	0.48-1	57.9	45.5	86.9	74.5	0.20-0.68	70.0	56.6	146.9	103.4
		54	0.62-1	116.6	103.4	163.4	103.4	0.20-0.68	116.6	103.4	206.9	103.4
		70	0.62-1	193.1	103.4	206.9	103.4	---	---	---	---	---
20.6	12.7	54	0.76-1	46.9	40.0	58.6	51.7	0.20-0.68	28.3	22.1	57.2	51.0
		70	0.69-1	56.6	49.7	72.4	65.5	---	---	---	---	---

CAUTION NOTE: BAUMANN SIZE 32 ACTUATOR NOT AVAILABLE WITH GRAPHITE RIBBON OR ENVIRO-SEAL^(R) PACKING SYSTEMS!

ALLOWABLE PRESSURE DROPS FOR FISHER FLOVUE SYSTEM 9000 ACTUATOR (psi and bar)

SYSTEM 9000 ACTUATOR NOS.	AIR SUPPLY	ORIFICE DIAMETER		AIR TO OPEN ACTION				AIR TO CLOSE ACTION			
		in	mm	Class IV		Class VI		Class IV		Class VI	
				psi	bar	psi	bar	psi	bar	psi	bar
9000-AA6LB	60	0.25	6.35	3000	206.9	3000	206.9	3000	206.9	3000	206.9
9000-AA6LB	60	0.3125	7.94	3000	206.9	3000	206.9	3000	206.9	3000	206.9
9000-AA8LB	80	0.375	9.53	3000	206.9	3000	206.9	3000	206.9	3000	206.9
9000-AA8LB	80	0.8125	20.64	958	66.1	856	59	1250	86.2	1090	75.2

Cvs or Kvs VALUES @ 100% PLUG OPENING

VALVE SIZE		ORIFICE DIAMETER		PLUG TRAVEL		TRIM STYLE											
						177		102		577		588		677		688	
in	DN	in	mm	in	mm	Cv	Kv	Cv	Kv	Cv	Kv	Cv	Kv	Cv	Kv	Cv	Kv
1/2, 3/4, & 1	15, 20, & 25	0.25	6.3	1/2	12.7	---	---	0.02, 0.05, 0.10, 0.20	0.02, 0.04, 0.09, 0.17	---	---	0.2, 0.5, 1.0	0.17, 0.43, 0.86	---	---	0.5, 1.0	0.43, 0.86
1/2	15	0.3125	7.9	1/2	12.7	0.0005, 0.001, 0.002, 0.005, 0.01, 0.02, 0.05	0.0005, 0.0009, 0.002, 0.004, 0.009, 0.02, 0.04	---	---	---	---	---	---	---	---	---	---
1/2	15	0.375	9.5	1/2	12.7	---	---	---	---	1.0, 1.5, 2.0	0.86, 1.29, 1.72	1.5, 2.0	1.29, 1.72	0.1, 0.2, 0.5, 1.0, 2.0	0.09, 0.17, 0.43, 0.86, 1.72	1.5, 2.0	1.29, 1.72
3/4 & 1	20 & 25	0.375	9.5	1/2	12.7	---	---	---	---	1.0, 1.5, 2.5	0.86, 1.29, 2.16	1.5, 2.5	1.29, 2.16	0.1, 0.2, 0.5, 1.0, 2.5	0.09, 0.17, 0.43, 0.86, 2.16	1.5, 2.5	1.29, 2.16
3/4	20	0.8125	20.6	1/2	12.7	---	---	---	---	3.8	3.28	3.8	3.28	3.8	3.28	3.8	3.28
1	25	0.8125	20.6	1/2	12.7	---	---	---	---	4.0, 6.8	3.45, 5.86	4.0, 6.8	3.45, 5.86	4.0	3.45	4.0, 6.8	3.45, 5.86

TECHNICAL SPECIFICATIONS

NOMINAL SIZE	1/2", 3/4", 1" / DN 15, 20, 25	
BODY RATING	See Pressure-Temperature Ratings Table on page 3	
CONNECTIONS	Standard	Threaded (NPT)
	Optional	Buttweld, Flanged (CL 150 to 1500) (A)
SEAT PLUG SEALING	PTFE Soft Seat	-320°F to 450°F (-195°C to 232°C)
	Metal Seat	-320°F to 1000°F (-195°C to 537°C)
BONNET	Standard	-100°F to 450°F (-73°C to 232°C)
	Extended	-320°F to 1000°F (-195°C to 538°C)
PACKING (B)	Spring Loaded PTFE V-Ring	-320°F to 450°F (-195°C to 232°C)
	ENVIRO-SEAL[®] PTFE	-50°F to 450°F (-45.5°C to 232°C)
	Molded Graphite Ribbon	-320°F to 1000°F (-195°C to 538°C)
CHARACTERISTIC	Equal Percentage or Linear	
RANGEABILITY	Exceeds 50:1 (See Cv vs Percent of Plug Travel tables on page 6 & 7)	

- NOTES:** A. Consult factory for other available connections.
 B. Temperature limits apply to packing materials only and not to the valve body assembly.

SPECIFICATIONS FOR BAUMANN ACTUATORS

Consult Fisher literature for specifications on the System 9000 FloVue Actuator.

TYPE	32, 54, 70 Multi-Spring Diaphragm (Single Acting)
NOMINAL SIZE	32, 54, 70 in ² / 210, 350, 450 cm ²
ACTION	Push Down to Close
AIR FAILURE	Open or Closed (Size 70 is Fail Closed only)
TRAVEL	1/2 in / 12.7 mm
AMBIENT TEMPERATURE RANGE (A)	-20 to 160°F / -30 to 70°C
MAXIMUM AIR PRESSURE	35 psig / 2.5 barg
DIAPHRAGM MATERIAL	Neoprene, Fabric Reinforced
SPRING CASES	Steel, Powder Coated with SST Fasteners
YOKE	Ductile Iron, Powder Coated

NOTE A: Optional reinforced silicon elastomer diaphragm with viton o-ring actuator stem seal for high ambient temperature conditions (-20°F to 250°F / -30°C to 121°C) is available with type 32 and 54 actuators ONLY.

ISA SIZING COEFFICIENTS

PLUG SERIES	RATED Cv	RATED Kv	F _L	F _d	X _t	K _c
102	0.02	0.02	0.95	0.06	0.76	0.70
	0.05	0.04	0.09			
	0.10	0.09	0.13			
	0.20	0.17	0.18			
177	0.0005, 0.001, 0.002, 0.005, 0.01, 0.02, 0.05	0.0005, 0.001, 0.002, 0.004, 0.009, 0.02, 0.04	0.95	0.70	0.76	0.70
577	1.0, 1.5, 2.0	0.86, 1.3, 1.72	0.90	0.42	0.68	0.62
	2.5, 3.8, 4.0, 6.8	2.2, 3.3, 3.5, 5.86	0.90	0.46	0.68	0.62

PLUG SERIES	RATED Cv	RATED Kv	F _L	F _d	X _t	K _c
588	0.2, 0.5, 1.0	0.17, 0.43, 0.86	0.90	0.28, 0.28, 0.46	0.68	0.62
	1.5, 2.0, 2.5	1.3, 1.72, 2.2	0.90	0.46	0.68	0.62
	3.8, 4.0, 6.8	3.3, 3.5, 5.86	0.90	0.46	0.68	0.62
677	0.1, 0.2, 0.5, 1.0, 2.0	0.09, 0.17, 0.43, 0.86, 1.72	0.90	0.08, 0.12, 0.19, 0.27, 0.46	0.68	0.62
	2.5, 3.8, 4.0	2.2, 3.3, 3.5	0.90	0.46	0.68	0.62
688	0.5, 1.0	0.43, 0.86	0.90	0.46	0.68	0.62
	1.5, 2.0, 2.5	1.3, 1.72, 2.2	0.90	0.46	0.68	0.62
	3.8, 4.0, 6.8	3.3, 3.5, 5.86	0.90	0.46	0.68	0.62

102 PLUG SERIES MICRO

VALVE SIZE		ORIFICE DIAMETER		PLUG TRAVEL		Cv at Valve Opening - Percent of Plug Travel										
in.	DN	in.	mm	in.	mm	5	10	20	30	40	50	60	70	80	90	100
1/2, 3/4, & 1	15, 20, & 25	.25	6.3	.50	12.7	.00036	.0018	.0038	.0061	.008	.01	.012	.015	.016	.018	.02
		.25	6.3	.50	12.7	.002	.004	.008	.012	.02	.024	.031	.038	.041	.046	.05
		.25	6.3	.50	12.7	.0063	.011	.02	.025	.035	.045	.055	.065	.081	.090	.10
		.25	6.3	.50	12.7	.012	.021	.028	.045	.063	.085	.115	.147	.172	.190	.20

177 PLUG SERIES EQUAL PERCENTAGE (METAL SEAT)

VALVE SIZE		ORIFICE DIAMETER		PLUG TRAVEL		Cv at Valve Opening - Percent of Plug Travel										
in.	DN	in.	mm	in.	mm	5	10	20	30	40	50	60	70	80	90	100
1/2	15	.3125	7.9	.50	12.7	.000001	.000005	.000013	.000043	.000084	.00014	.00020	.00028	.00037	.00044	.0005
		.3125	7.9	.50	12.7	.000001	.000007	.000007	.00015	.00024	.00036	.00048	.0006	.0008	.0009	.001
		.3125	7.9	.50	12.7	.000008	.000019	.0002	.00029	.00047	.00071	.001	.0013	.0016	.0018	.002
		.3125	7.9	.50	12.7	.00003	.000061	.0003	.00051	.00099	.0016	.0021	.0028	.0035	.0041	.005
		.3125	7.9	.50	12.7	.00004	.000068	.0004	.001	.0018	.0029	.0045	.006	.0074	.0085	.01
		.3125	7.9	.50	12.7	.00007	.0003	.0005	.0016	.0031	.005	.0075	.011	.013	.017	.02
		.3125	7.9	.50	12.7	.0001	.0005	.0011	.003	.007	.012	.017	.025	.031	.041	.05

577 PLUG SERIES EQUAL PERCENTAGE (PTFE SEAT)

VALVE SIZE		ORIFICE DIAMETER		PLUG TRAVEL		Cv at Valve Opening - Percent of Plug Travel										
in.	DN	in.	mm	in.	mm	5	10	20	30	40	50	60	70	80	90	100
1/2, 3/4 & 1	15, 20 & 25	.375	9.5	.50	12.7	.006	.01	.02	.04	.06	.12	.20	.35	.50	.82	1.0
		.375	9.5	.50	12.7	.008	.015	.03	.05	.07	.14	.25	.41	.65	1.0	1.5
1/2	15	.375	9.5	.50	12.7	.03	.09	.14	.25	.38	.55	.70	1.0	1.3	1.7	2.0
3/4 & 1	20 & 25	.375	9.5	.50	12.7	.03	.09	.14	.25	.38	.55	.70	1.0	1.3	1.7	2.5
3/4	20	.8125	20.6	.50	12.7	.10	.15	.39	.60	.88	1.20	1.60	2.10	2.70	3.20	3.8
1	25	.8125	20.6	.50	12.7	.16	.22	.28	.40	.75	1.3	2.1	2.7	3.1	3.6	4.0
		.8125	20.6	.50	12.7	.16	.24	.38	.60	.95	1.5	2.4	3.2	4.8	5.3	6.8

588 PLUG SERIES EQUAL PERCENTAGE (METAL SEAT)

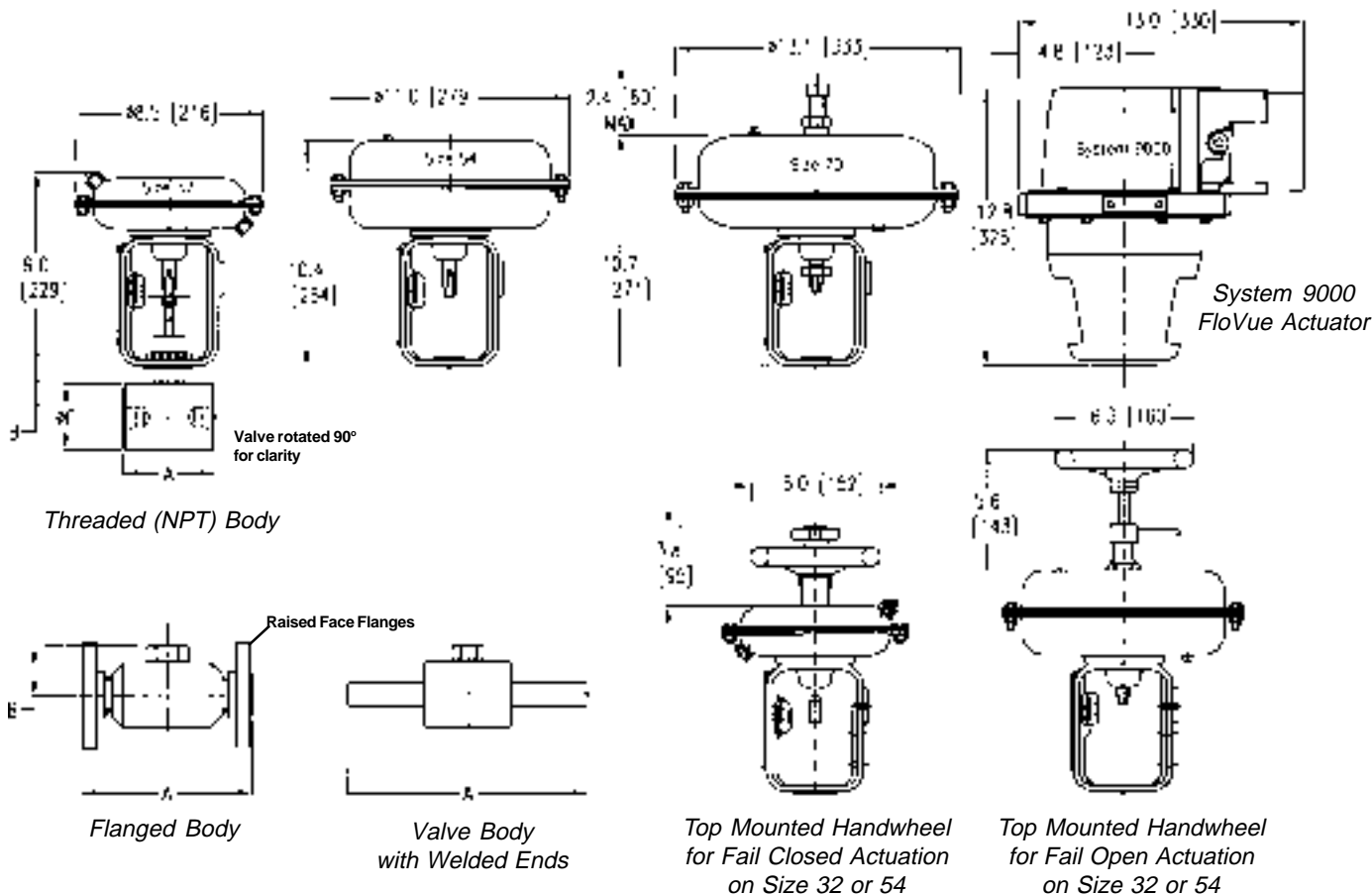
VALVE SIZE		ORIFICE DIAMETER		PLUG TRAVEL		Cv at Valve Opening - Percent of Plug Travel										
in.	DN	in.	mm	in.	mm	5	10	20	30	40	50	60	70	80	90	100
1/2, 3/4, & 1	15, 20, & 25	.25	6.3	.50	12.7	.0008	.0012	.0024	.006	.012	.016	.024	.04	.068	.10	.20
		.25	6.3	.50	12.7	.002	.003	.006	.015	.030	.040	.060	.10	.170	.250	.50
		.25	6.3	.50	12.7	.006	.01	.02	.04	.06	.12	.20	.35	.50	.82	1.0
		.375	9.5	.50	12.7	.008	.015	.03	.05	.07	.14	.25	.41	.65	1.0	1.5
1/2	15	.375	9.5	.50	12.7	.015	.03	.06	.10	.20	.35	.60	.90	1.3	1.8	2.0
3/4 & 1	20 & 25	.375	9.5	.50	12.7	.015	.03	.06	.10	.20	.35	.60	.90	1.3	1.8	2.5
3/4	20	.8125	20.6	.50	12.7	.10	.15	.39	.60	.88	1.20	1.60	2.10	2.70	3.20	3.8
1	25	.8125	20.6	.50	12.7	.10	.15	.39	.60	.88	1.20	1.60	2.10	2.71	3.25	4.0
		.8125	20.6	.50	12.7	.16	.24	0.75	1.1	1.7	2.6	3.8	4.2	4.8	5.3	6.8

677 PLUG SERIES LINEAR (SOFT SEAT)

VALVE SIZE		ORIFICE DIAMETER		PLUG TRAVEL		Cv at Valve Opening - Percent of Plug Travel										
in.	DN	in.	mm	in.	mm	5	10	20	30	40	50	60	70	80	90	100
1/2, 3/4, & 1	15, 20, & 25	.375	9.5	.50	12.7	.004	.01	.02	.03	.04	.05	.06	.07	.08	.09	.10
		.375	9.5	.50	12.7	.009	.02	.04	.06	.08	.10	.12	.14	.16	.18	.20
		.375	9.5	.50	12.7	.03	.05	.10	.15	.20	.25	.30	.35	.40	.45	.50
		.375	9.5	.50	12.7	.05	.10	.20	.30	.40	.50	.60	.70	.80	.90	1.0
1/2	15	.375	9.5	.50	12.7	.20	.50	.75	1.0	1.3	1.5	1.6	1.7	1.8	1.9	2.0
3/4 & 1	20 & 25	.375	9.5	.50	12.7	.015	.03	.06	.10	.20	.35	.60	.90	1.3	1.8	2.5
3/4	20	.8125	20.6	.50	12.7	.10	.15	.39	.60	.88	1.20	1.60	2.10	2.70	3.20	3.8
1	25	.8125	20.6	.50	12.7	.22	.45	.82	1.2	1.6	2.0	2.4	2.8	3.2	3.6	4.0

688 PLUG SERIES LINEAR (METAL SEAT)

VALVE SIZE		ORIFICE DIAMETER		PLUG TRAVEL		Cv at Valve Opening - Percent of Plug Travel										
in.	DN	in.	mm	in.	mm	5	10	20	30	40	50	60	70	80	90	100
1/2, 3/4, & 1	15, 20, & 25	.250	6.3	.50	12.7	.03	.05	.10	.15	.20	.25	.30	.35	.40	.45	0.5
		.250	6.3	.50	12.7	.01	.14	.23	.34	.45	.55	.64	.73	.82	.90	1.0
		.375	9.5	.50	12.7	0.1	0.2	0.3	0.5	0.6	.73	.87	1.02	1.15	1.3	1.5
1/2	15	.375	9.5	.50	12.7	.20	.50	.75	1.0	1.3	1.5	1.6	1.7	1.8	1.9	2.0
3/4 & 1	20 & 25	.375	9.5	.50	12.7	.015	.03	.06	.10	.20	.35	.60	.90	1.3	1.8	2.5
3/4	20	.8125	20.6	.50	12.7	.10	.15	.39	.50	.88	1.20	1.60	2.10	2.70	3.20	3.8
1	25	.8125	20.6	.50	12.7	.20	.40	.55	.70	1.02	1.31	1.60	2.10	2.65	3.30	4.0
		.8125	20.6	.50	12.7	.52	1.0	1.9	2.8	3.9	4.8	5.5	5.7	6.0	6.3	6.8



VALVE DIMENSIONS

VALVE SIZE		"A"											"B" BONNET				"E" DIA.		
		NPT		FLANGED								BUTTWELD		STANDARD		EXTENSION			
				CL150		CL300		CL600		CL900/1500									
in	DN	in	mm	in	mm	in	mm	in	mm	in	mm	in	mm	in	mm	in	mm	in	mm
1/2	15	4.00	102	7.25	184	7.50	191	8.00	203	10.75	273	15.25	387	2.8	71	8.2	208	2.50	64
3/4	20	4.13	105	7.25	184	7.62	194	8.12	206	10.75	273	15.25	387	2.9	74	8.3	211	3.00	76
1	25	5.00	127	7.25	184	7.75	197	8.25	210	10.75	273	16	406	2.9	74	8.3	211	3.00	76

NOTES: Actuator removal requires 4-1/2" (115 mm) vertical clearance.
Other Face to Face dimensions available. Consult factory.

VALVE ASSEMBLY WEIGHTS (NPT Body S/A Only)

VALVE SIZE		WEIGHTS	
in	DN	lbs	KG
1/2	15	6.2	2.8
3/4	20	9.1	4.1
1	25	10.3	4.7

ACTUATOR WEIGHTS

TYPE	WEIGHTS	
	Lbs	KG
32	10	4.5
54	25	11.3
70	34	15.4
9000	27	12

The Emerson logo is a trademark and service mark of Emerson Electric Co. FIELDVUE and FloVue are marks owned by Baumann Inc., Fisher Controls International, Inc. or Fisher-Rosemount Systems, Inc. All other marks are the property of their respective owners.

The contents of this publication are presented for informational purposes only, and while every effort has been made to ensure their accuracy, they are not to be construed as warranties or guarantees, express or implied, regarding the products or services described herein or their use or applicability. We reserve the right to modify or improve the designs or specifications of such products at any time without notice.

Baumann Inc.
35 Mirona Road
Portsmouth, NH 03801
T 1(603) 436-2044
F 1(603) 436-4901

BAUMANN INC.
Subsidiary of Fisher Controls International, Inc.