

24000F Series Wafer Body Control Valve

This rugged type 316L stainless steel universal wafer body barstock control valve mates with ANSI and DIN line flange connections. This very compact package provides the connection integrity of flanged body globe valves while being significantly lighter and easier to install.

Hastelloy C, Alloy 20, & Monel construction is also available on special order (see page 2).

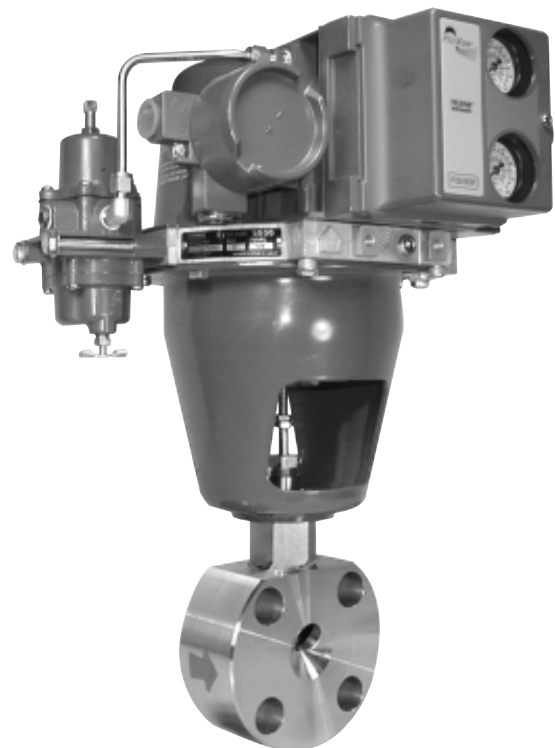
The 24000F may serve as a general purpose modulating valve suitable for process line pressures up to 1440 psig (99.3 bar) and operating temperatures to 1000°F (537°C).



Shown with Size 32 Actuator and 3660/3661 Positioner

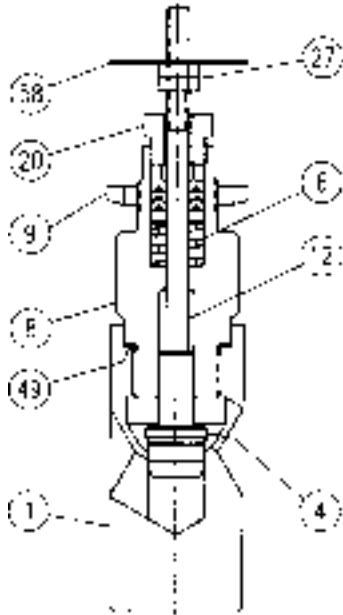
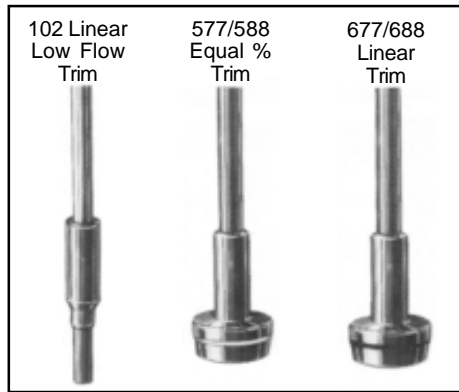
FEATURES:

- Universal valve body construction mates with ANSI Class 150, 300 & 600RF and PN10-40 line flanges (see page 5).
- Compact and light weight design reduces installed piping costs.
- Multiple trim capacity reductions available to meet changing process requirements with Cv ratings as low as 0.0005.
- Optional extended bonnet for applications ranging from -320°F (-195°C) to 1000°F (537°C).
- Optional ENVIRO-SEAL^(R) packing system to meet critical emission control requirements (available with size 54 actuator only).
- Epoxy powder coated multi-spring return diaphragm actuator with stainless steel fasteners for maximum corrosion resistance.
- FIELDVUE digital valve controller available for remote calibration and diagnostics.
- Available with Fisher System 9000 FloVue^(R) actuator. Built-in travel stops make it the recommended actuator for use with type 177 low flow trim.

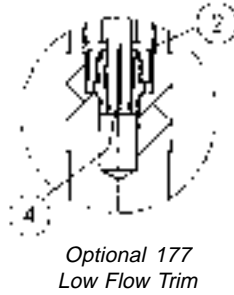


Shown with size 12 System 9000 FloVue^(R) Actuator, FIELDVUE Controller and 67CFR Airset

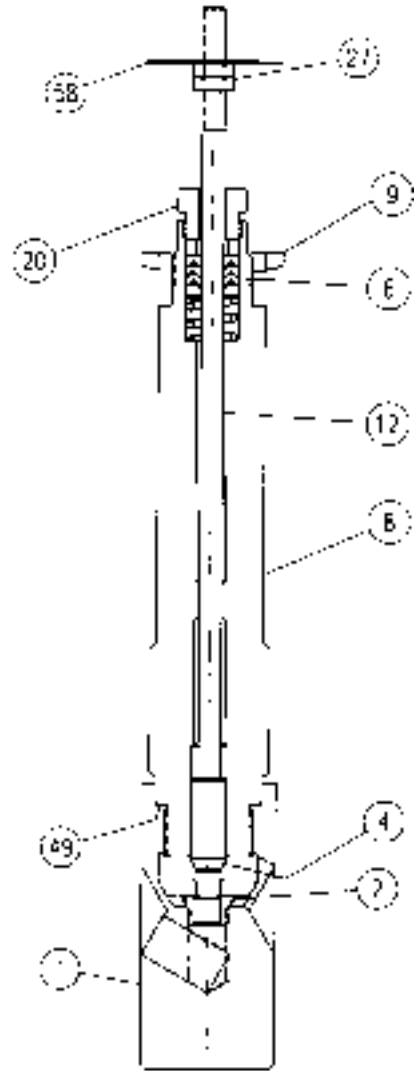




Valve Body Shown
with Standard Bonnet
& Size 1" Integral Seat Ring



Optional 177
Low Flow Trim

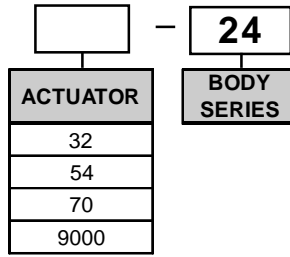


Valve Body Shown
with Extended Bonnet
& Screwed-In Seat Ring

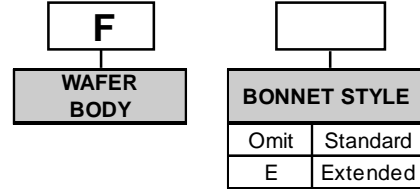
MATERIALS OF CONSTRUCTION

KEY NO.	DESCRIPTION	MATERIAL			
		BODY CONSTRUCTION			
		316L St St	Hastelloy C	Alloy 20	Monel
1	Body	ASTM A479 S31600/S31603 Dual Certified	ASTM B574 N10276	ASTM B473 N08020	ASTM B164 N04400
2	Seat Ring (Standard)	ASTM A276 S31600	ASTM B574 N10276	ASTM B473 N08020	ASTM B164 N04400
	Seat Ring S/A (177 Trim) with reinforced PTFE Insert				
4	Plug (Metal Seat)	ASTM A479 S21800	ASTM B574 N10276/PTFE	ASTM B473 N08020/PTFE	ASTM B164 N04400/PTFE
	Plug (Soft Seat)	ASTM A479 S21800/PTFE			
6	Packing (Standard)	PTFE V-Ring	Enviroseal PTFE	Enviroseal PTFE	Enviroseal PTFE
	Packing (optional)	Enviroseal PTFE Molded Graphite Ribbon	Molded Graphite Ribbon	Molded Graphite Ribbon	Molded Graphite Ribbon
8	Bonnet (Standard & Ext)	ASTM A479 S31600/S31603 Dual Certified	ASTM B574 N10276	ASTM B473 N08020	ASTM B164 N04400
9	Drive Nut (Yoke)	ASTM A194 S30400 Gr. 8			
12	Stem	ASTM A276 S31600	ASTM B574 N10276	ASTM B473 N08020	ASTM B164 N04400
20	Packing Follower	ASTM A582 S30300	ASTM B574 N10276	ASTM B473 N08020	ASTM B164 N04400
27	Nut, Jam	304 St. St.			
49	Body Gasket	Reinforced Graphite			
58	Travel Indicator	304 St. St.			

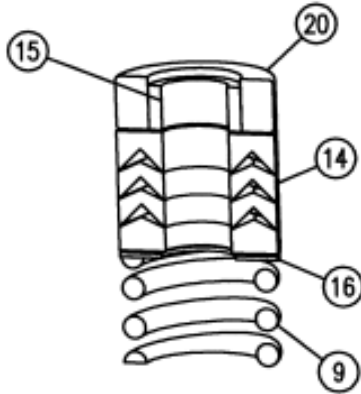
MODEL NUMBERING SYSTEM



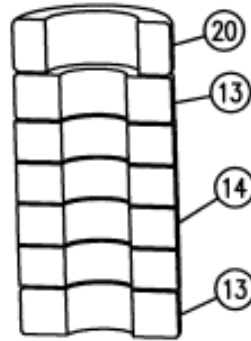
PLUG SERIES	CHARACTERISTIC	SEAT LEAKAGE
102	Linear / Metal Seat	IV
177*	Mod.Equal % /PTFE Seat	VI
577	Equal % / PTFE Seat	VI
588	Equal % / Metal Seat	IV
677	Linear / PTFE Seat	VI
688	Linear / Metal Seat	IV



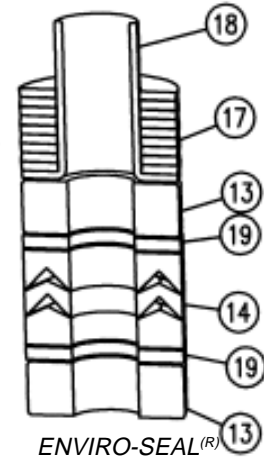
*Recommend using Fisher Flovue^(R) System 9000 actuator when choosing 177 trim with DVC digital positioners.



Spring Loaded PTFE V-Ring Packing Kit (Standard)



Molded Graphite Ribbon Packing Kit (Optional)



ENVIRO-SEAL^(R) Packing Kit System
(Optional with size 54 actuator only)

KEY NO.	DESCRIPTION	MATERIAL
9	Spring	ASTM A313 S30200
14	Packing Set	PTFE
15	Guide Bushing	PTFE Lined Filament wound Fiberglass
16	Washer	ASTM A240 S31600
20	Spacer	ASTM A582 S30300

KEY NO.	DESCRIPTION	MATERIAL
13	Bushing	Carbon-Graphite
14	Packing Rings (4)	Graphite
20	Spacer	ASTM A582 S30300

KEY NO.	DESCRIPTION	MATERIAL
13	Bushing	Carbon Graphite
14	Packing Set	PTFE
17	Belleville Spring	ASTM B637 N07718
18	Bushing	PEEK
19	Washer	PTFE, Filled Gylon

PRESSURE-TEMPERATURE RATINGS (316/316L SS BODY)

CAUTION: Pressure temperature ratings are limited to the values published in ANSI B16.34 for the mating line flanges.

TEMPERATURE (°F)	WORKING PRESSURE (PSIG)
-320 to 100	1440
200	1240
300	1120
400	1025
450	990
500	955
550	927
600	900
650	890
700	870
750	855
800	845
850	835
900	830
950	775
1000	700

TEMPERATURE (°C)	WORKING PRESSURE (BAR)
-195 to 37.8	99.3
93.3	85.5
149	77.2
204	70.6
232	68.2
260	65.8
288	63.9
316	62.0
343	61.3
371	60.0
399	58.9
427	58.2
454	57.5
482	57.2
510	53.4
538	48.2

SPECIAL PACKING NOTE:

The ENVIRO-SEAL PTFE packing system is suitable for 550 ppm environmental applications on services up to 750 psig (51.7 bar) and temperatures ranging from -50 to 450°F (-46 to 232°C).

For nonenvironmental applications, this packing system offers superior sealing performance at the same temperature range up to the maximum valve working pressure.

(Reference *Fisher Packing Selection Guidelines For Sliding-Stem Valves*, Bulletin 59.1:062)

AVAILABLE CONSTRUCTION TABLE

VALVE SIZE		RATED Cv RANGE		ORIFICE DIAMETER	
in.	DN	Cv	Kv	in.	mm
1/2 & 3/4	15 & 20	0.0005 to 2.0	0.0005 to 1.72	Threaded Seat Ring 0.250, 0.3125, 0.375	6.3, 7.9, 9.5
1	25	0.0005 to 2.5	0.0005 to 2.2	Threaded Seat Ring 0.250, 0.3125, 0.375	6.3, 7.9, 9.5
1	25	4 & 6.5	3.45 & 5.6	Integral Seat Ring 0.8125	20.6

ALLOWABLE PRESSURE DROPS FOR BAUMANN SIZE 32, 54, & 70 ACTUATORS (psi)

Orifice Dia. (in.)	Plug Travel (in.)	Act Type	AIR TO OPEN ACTION					AIR TO CLOSE ACTION				
			Bench Range (psi)	3-15 psi SIGNAL TO ACTUATOR		WITH POSITIONER 20 psig AIR SUPPLY		Bench Range (psi)	3-15 psi SIGNAL TO ACTUATOR		WITH POSITIONER 20 psig AIR SUPPLY	
				Max CL IV Shutoff Pressure	Max CL VI Shutoff Pressure	Max CL IV Shutoff Pressure	Max CL VI Shutoff Pressure		Max CL IV Shutoff Pressure	Max CL VI Shutoff Pressure	Max CL IV Shutoff Pressure	Max CL VI Shutoff Pressure
0.25	1/2"	32	5-15	860	---	1440	---	3-13	800	---	1440	---
		32	7-15	1440	---	1440	---	3-10	1440	---	1440	---
0.3125	1/2"	32	5-15	---	600	---	1000	3-13	---	550	---	1000
		32	7-15	---	1425	---	1440	3-10	---	1440	---	1440
0.375	1/2"	32	5-15	459	284	918	743	3-13	426	251	1440	1315
		32	7-15	840	660	1260	1080	3-10	1000	820	1440	1440
		54	9-15	1440	1440	1440	1440	3-10	1440	1440	1440	1440
0.8125	1/2"	32	5-15	115	20	229	135	3-13	106	12	373	278
		32	7-15	210	115	314	220	3-10	266	171	532	438
		54	7-15	342	247	513	418	3-10	410	320	830	740
		54	11-15	680	580	850	750	---	---	---	---	---
		70	10-15	820	720	1050	950	---	---	---	---	---

CAUTION NOTE: BAUMANN SIZE 32 ACTUATOR NOT AVAILABLE WITH GRAPHITE RIBBON OR ENVIRO-SEAL^(R) PACKING SYSTEMS!

ALLOWABLE PRESSURE DROPS FOR BAUMANN SIZE 32, 54, & 70 ACTUATORS (bar)

Orifice Dia. (mm)	Plug Travel (mm)	Act Type	AIR TO OPEN ACTION					AIR TO CLOSE ACTION				
			Bench Range (bar)	0.21-1.0 bar SIGNAL TO ACTUATOR		WITH POSITIONER 1.4 bar AIR SUPPLY		Bench Range (bar)	0.21-1.0 bar SIGNAL TO ACTUATOR		WITH POSITIONER 1.4 bar AIR SUPPLY	
				Max CL IV Shutoff Pressure	Max CL VI Shutoff Pressure	Max CL IV Shutoff Pressure	Max CL VI Shutoff Pressure		Max CL IV Shutoff Pressure	Max CL VI Shutoff Pressure	Max CL IV Shutoff Pressure	Max CL VI Shutoff Pressure
6.4	12.7	32	0.34-1	59.3	---	99.3	---	0.20-0.89	55.2	---	99.3	---
		32	0.48-1	99.3	---	99.3	---	0.20-0.68	99.3	---	99.3	---
7.9	12.7	32	0.34-1.0	---	41.4	---	69.0	0.20-0.89	---	37.9	---	69.0
		32	0.48-1	---	98.3	---	99.3	0.20-0.68	---	99.3	---	99.3
9.5	12.7	32	0.34-1.0	31.7	19.6	63.3	51.2	0.20-0.89	29.4	17.3	99.3	90.7
		32	0.48-1	57.9	45.5	86.9	74.5	0.20-0.68	70.0	56.6	99.3	99.3
		54	0.62-1	99.3	99.3	99.3	99.3	0.20-0.68	99.3	99.3	99.3	99.3
20.6	12.7	32	0.34-1.0	7.9	1.4	15.8	9.3	0.20-0.89	7.3	0.83	25.7	19.2
		32	0.48-1.0	14.5	7.9	21.7	15.2	0.20-0.68	18.3	11.8	36.7	30.2
		54	0.48-1.0	23.6	17.0	35.4	28.8	0.20-0.68	28.3	22.1	57.2	51.0
		54	0.76-1	46.9	40.0	58.6	51.7	---	---	---	---	---
		70	0.69-1	56.6	49.7	72.4	65.5	---	---	---	---	---

CAUTION NOTE: BAUMANN SIZE 32 ACTUATOR NOT AVAILABLE WITH GRAPHITE RIBBON OR ENVIRO-SEAL^(R) PACKING SYSTEMS!

ALLOWABLE PRESSURE DROPS FOR FISHER FLOVUE SYSTEM 9000 ACTUATOR (psi and bar)

SYSTEM 9000 ACTUATOR NOS.	AIR SUPPLY	ORIFICE DIAMETER		AIR TO OPEN ACTION				AIR TO CLOSE ACTION			
				Class IV		Class VI		Class IV		Class VI	
		in	mm	psi	bar	psi	bar	psi	bar	psi	bar
9000-AA6LB	60	0.25	6.35	1440	99.3	1440	99.3	1440	99.3	1440	99.3
9000-AA6LB	60	0.3125	7.94	1440	99.3	1440	99.3	1440	99.3	1440	99.3
9000-AA8LB	80	0.375	9.53	1440	99.3	1440	99.3	1440	99.3	1440	99.3
9000-AA8LB	80	0.8125	20.64	956	65.9	855	58.9	1440	99.3	1440	99.3

TECHNICAL SPECIFICATIONS

NOMINAL SIZE	1/2", 3/4", 1" / DN 15, 20, 25	
BODY RATING	ANSI Class 600 per B16.34	
CONNECTIONS	See table below	
FLANGE FACINGS:	100 Ra or better smooth surface	
SEAT PLUG SEALING	PTFE Soft Seat	-320°F to 450°F (-195°C to 232°C)
	Metal Seat	-320°F to 1000°F (-195°C to 537°C)
BONNET	Standard	-100°F to 450°F (-73°C to 232°C)
	Extended	-320°F to 1000°F (-195°C to 538°C)
PACKING (A)	Spring Loaded PTFE V-Ring	-320°F to 450°F (-195°C to 232°C)
	ENVIRO-SEAL^(R) PTFE	-50°F to 450°F (-45.5°C to 232°C)
	Molded Graphite Ribbon	-320°F to 1000°F (-195°C to 538°C)
CHARACTERISTIC	Equal Percentage or Linear	
RANGEABILITY	Exceeds 50:1 (See Cv vs Percent of Plug Travel tables on page 6 & 7)	

NOTE A: Temperature limits apply to packing materials only and not to the valve body assembly.

CONNECTIONS TABLE

CONNECTIONS:	VALVE SIZE		MATING LINE FLANGES			
	IN	DN	CL150	CL300	CL600	PN10-40
	0.5	15	No	Yes	Yes	Yes
	0.75	20	Yes	Yes	Yes	Yes
	1.0	25	Yes	Yes	Yes	Yes

SPECIFICATIONS FOR BAUMANN ACTUATORS

Consult Fisher literature for specifications on the System 9000 Flovue Actuator.

TYPE	32, 54, 70 Multi-Spring Diaphragm (Single Acting)
NOMINAL SIZE	32, 54, 70 in ² / 210, 350, 450 cm ²
ACTION	Push Down to Close
AIR FAILURE	Open or Closed (Size 70 is Fail Closed only)
TRAVEL	1/2 in / 12.7 mm
AMBIENT TEMPERATURE RANGE (A)	-20 to 160°F / -30 to 70°C
MAXIMUM AIR PRESSURE	35 psig / 2.5 barg
DIAPHRAGM MATERIAL	Neoprene, Fabric Reinforced
SPRING CASES	Steel, Powder Coated with SST Fasteners
YOKE	Ductile Iron, Powder Coated

NOTE A: Optional reinforced silicon elastomer diaphragm with viton o-ring actuator stem seal for high ambient temperature conditions (-20°F to 250°F / -30°C to 121°C) is available with type 32 and 54 actuators ONLY.

ISA SIZING COEFFICIENTS

PLUG SERIES	RATED Cv	RATED Kv	F _L	F _d	X _t	K _c				
102	0.02	0.02	0.95	0.06	0.76	0.70				
	0.05	0.04	0.09							
	0.10	0.09	0.13							
	0.20	0.17	0.18							
177	0.0005, 0.001, 0.002, 0.005, 0.01, 0.02, 0.05	0.0005, 0.001, 0.002, 0.004, 0.009, 0.02, 0.04	0.95	0.70	0.76	0.70				
	1.0, 1.5, 2.0	0.86, 1.3, 1.72					0.90	0.42	0.68	0.62
	2.5, 4.0, 6.5	2.2, 3.5, 5.6								

PLUG SERIES	RATED Cv	RATED Kv	F _L	F _d	X _t	K _c				
588	0.2, 0.5, 1.0	0.17, 0.43, 0.86	0.90	0.28	0.68	0.62				
	1.5, 2.0	1.3, 1.72					0.90	0.46	0.68	0.62
	2.5, 4.0, 6.5	2.2, 3.5, 5.6								
677	0.1, 0.2, 0.5, 1.0, 2.0	0.09, 0.17, 0.43, 0.86, 1.72	0.90	0.08, 0.12, 0.19, 0.27, 0.46	0.68	0.62				
	2.5, 4.0	2.2, 3.5					0.90	0.46	0.68	0.62
688	0.5, 1.0	0.43, 0.86	0.90	0.46	0.68	0.62				
	1.5, 2.0	1.3, 1.72					0.90	0.46	0.68	0.62
	2.5, 4.0, 6.5	2.2, 3.5, 5.6								

102 PLUG SERIES MICRO

VALVE SIZE		ORIFICE DIAMETER		PLUG TRAVEL		Cv at Valve Opening - Percent of Plug Travel										
in.	DN	in.	mm	in.	mm	5	10	20	30	40	50	60	70	80	90	100
1/2, 3/4, & 1	15, 20, & 25	.25	6.3	.50	12.7	.00036	.0018	.0038	.0061	.008	.01	.012	.015	.016	.018	.02
		.25	6.3	.50	12.7	.002	.004	.008	.012	.02	.024	.031	.038	.041	.046	.05
		.25	6.3	.50	12.7	.0063	.011	.02	.025	.035	.045	.055	.065	.081	.090	.10
		.25	6.3	.50	12.7	.012	.021	.028	.045	.063	.085	.115	.147	.172	.190	.20

177 PLUG SERIES EQUAL PERCENTAGE (METAL SEAT)

VALVE SIZE		ORIFICE DIAMETER		PLUG TRAVEL		Cv at Valve Opening - Percent of Plug Travel										
in.	DN	in.	mm	in.	mm	5	10	20	30	40	50	60	70	80	90	100
1/2, 3/4, & 1	15, 20, & 25	.3125	7.9	.50	12.7	.000001	.000005	.000013	.000043	.000084	.00014	.00020	.00028	.00037	.00044	.0005
		.3125	7.9	.50	12.7	.000001	.000007	.000007	.00015	.00024	.00036	.00048	.0006	.0008	.0009	.001
		.3125	7.9	.50	12.7	.000008	.000019	.0002	.00029	.00047	.00071	.001	.0013	.0016	.0018	.002
		.3125	7.9	.50	12.7	.00003	.000061	.0003	.00051	.00099	.0016	.0021	.0028	.0035	.0041	.005
		.3125	7.9	.50	12.7	.00004	.000068	.0004	.001	.0018	.0029	.0045	.006	.0074	.0085	.01
		.3125	7.9	.50	12.7	.00007	.0003	.0005	.0016	.0031	.005	.0075	.011	.013	.017	.02
		.3125	7.9	.50	12.7	.0001	.0005	.0011	.003	.007	.012	.017	.025	.031	.041	.05

577 PLUG SERIES EQUAL PERCENTAGE (PTFE SEAT)

VALVE SIZE		ORIFICE DIAMETER		PLUG TRAVEL		Cv at Valve Opening - Percent of Plug Travel										
in.	DN	in.	mm	in.	mm	5	10	20	30	40	50	60	70	80	90	100
1/2, 3/4 & 1	15, 20 & 25	.375	9.5	.50	12.7	.006	.01	.02	.04	.06	.12	.20	.35	.50	.82	1.0
		.375	9.5	.50	12.7	.008	.015	.03	.05	.07	.14	.25	.41	.65	1.0	1.5
1/2 & 3/4	15 & 20	.375	9.5	.50	12.7	.03	.09	.14	.25	.38	.55	.70	1.0	1.3	1.7	2.0
1	25	.375	9.5	.50	12.7	.03	.09	.14	.25	.38	.55	.70	1.0	1.3	1.7	2.5
		.8125	20.6	.50	12.7	.16	.22	.28	.40	.75	1.3	2.1	2.7	3.1	3.6	4.0
		.8125	20.6	.50	12.7	.16	.24	.38	.60	.95	1.5	2.4	3.2	4.8	5.3	6.5

588 PLUG SERIES EQUAL PERCENTAGE (METAL SEAT)

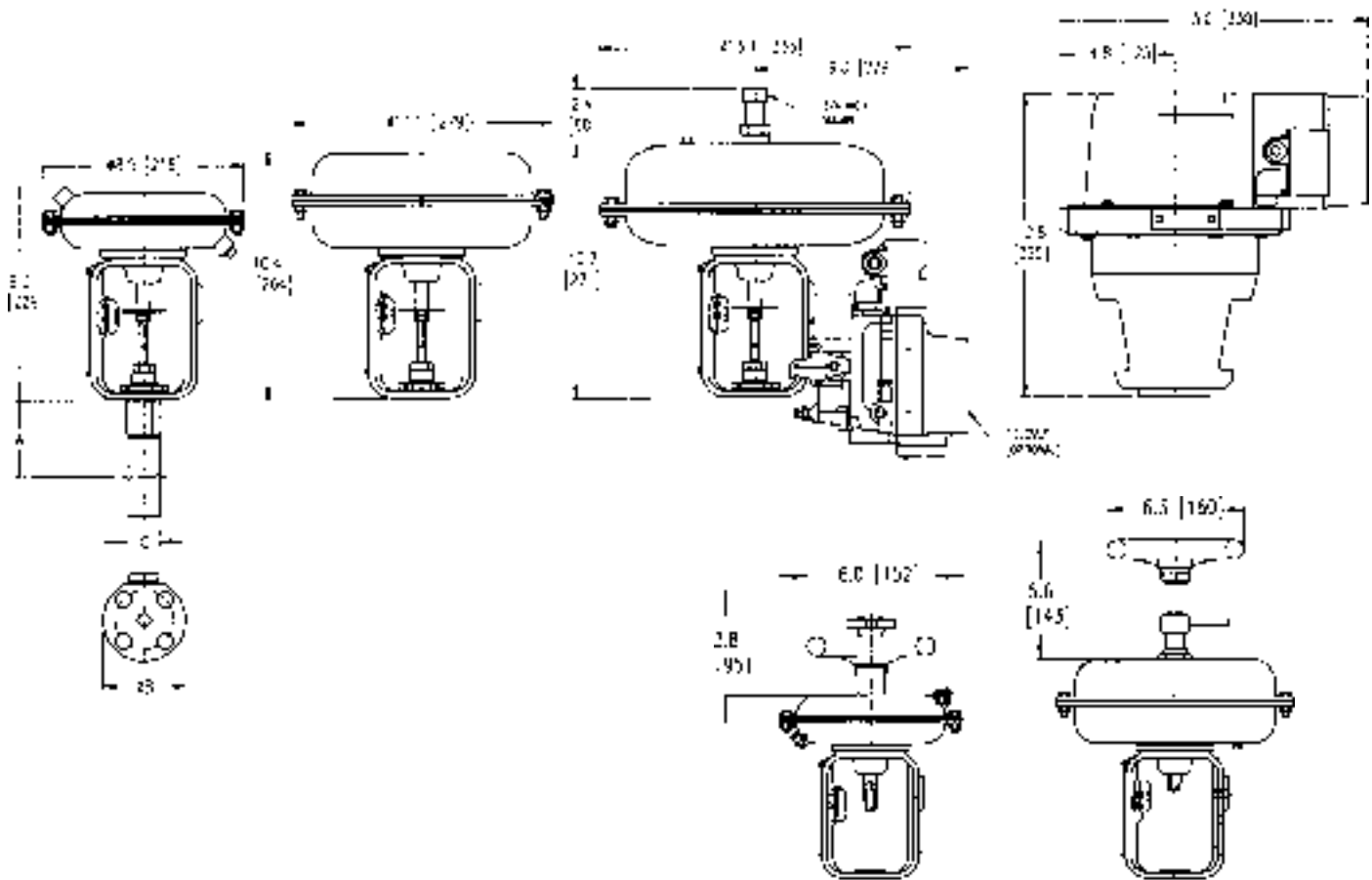
VALVE SIZE		ORIFICE DIAMETER		PLUG TRAVEL		Cv at Valve Opening - Percent of Plug Travel										
in.	DN	in.	mm	in.	mm	5	10	20	30	40	50	60	70	80	90	100
1/2, 3/4, & 1	15, 20, & 25	.25	6.3	.50	12.7	.0008	.0012	.0024	.006	.012	.016	.024	.04	.068	.10	.20
		.25	6.3	.50	12.7	.002	.003	.006	.015	.030	.040	.060	.10	.170	.250	.50
		.25	6.3	.50	12.7	.006	.01	.02	.04	.06	.12	.20	.35	.50	.82	1.0
		.375	9.5	.50	12.7	.008	.015	.03	.05	.07	.14	.25	.41	.65	1.0	1.5
1/2 & 3/4	15 & 20	.375	9.5	.50	12.7	.015	.03	.06	.10	.20	.35	.60	.90	1.3	1.8	2.0
1	25	.375	9.5	.50	12.7	.015	.03	.06	.10	.20	.35	.60	.90	1.3	1.8	2.5
		.8125	20.6	.50	12.7	.10	.15	.39	.60	.88	1.20	1.60	2.10	2.71	3.25	4.0
		.8125	20.6	.50	12.7	.16	.24	0.75	1.1	1.7	2.6	3.8	4.2	4.8	5.3	6.5

677 PLUG SERIES LINEAR (SOFT SEAT)

VALVE SIZE		ORIFICE DIAMETER		PLUG TRAVEL		Cv at Valve Opening - Percent of Plug Travel										
in.	DN	in.	mm	in.	mm	5	10	20	30	40	50	60	70	80	90	100
1/2, 3/4, & 1	15, 20, & 25	.375	9.5	.50	12.7	.004	.01	.02	.03	.04	.05	.06	.07	.08	.09	.10
		.375	9.5	.50	12.7	.009	.02	.04	.06	.08	.10	.12	.14	.16	.18	.20
		.375	9.5	.50	12.7	.03	.05	.10	.15	.20	.25	.30	.35	.40	.45	.50
		.375	9.5	.50	12.7	.05	.10	.20	.30	.40	.50	.60	.70	.80	.90	1.0
1/2 & 3/4	15 & 20	.375	9.5	.50	12.7	.20	.50	.75	1.0	1.3	1.5	1.6	1.7	1.8	1.9	2.0
1	25	.375	9.5	.50	12.7	.015	.03	.06	.10	.20	.35	.60	.90	1.3	1.8	2.5
		.8125	20.6	.50	12.7	.22	.45	.82	1.2	1.6	2.0	2.4	2.8	3.2	3.6	4.0

688 PLUG SERIES LINEAR (METAL SEAT)

VALVE SIZE		ORIFICE DIAMETER		PLUG TRAVEL		Cv at Valve Opening - Percent of Plug Travel										
in.	DN	in.	mm	in.	mm	5	10	20	30	40	50	60	70	80	90	100
1/2, 3/4, & 1	15, 20, & 25	.250	6.3	.50	12.7	.03	.05	.10	.15	.20	.25	.30	.35	.40	.45	0.5
		.250	6.3	.50	12.7	.01	.14	.23	.34	.45	.55	.64	.73	.82	.90	1.0
		.375	9.5	.50	12.7	0.1	0.2	0.3	0.5	0.6	.73	.87	1.02	1.15	1.3	1.5
1/2 & 3/4	15 & 20	.375	9.5	.50	12.7	.20	.50	.75	1.0	1.3	1.5	1.6	1.7	1.8	1.9	2.0
1	25	.375	9.5	.50	12.7	.015	.03	.06	.10	.20	.35	.60	.90	1.3	1.8	2.5
		.8125	20.6	.50	12.7	.20	.40	.55	.70	1.02	1.31	1.60	2.10	2.65	3.30	4.0
		.8125	20.6	.50	12.7	.52	1.0	1.9	2.8	3.9	4.8	5.5	5.7	6.0	6.3	6.5



Top Mounted Handwheel
for Fail Closed Actuation
on Size 32 or 54

Top Mounted Handwheel
for Fail Open Actuation
on Size 32 or 54

VALVE DIMENSIONS

SIZE		A				B		C	
in.	DN	Standard Bonnet		Extended Bonnet		in.	mm	in.	mm
		in.	mm	in.	mm				
1/2	15	3.1	79	8.5	216	3.5	89	1.5	38.1
3/4	20	3.1	79	8.5	216	4.25	108	1.5	38.1
1	25	3.1	79	8.5	216	4.5	114	2.0	50.8

NOTE: Actuator Removal Requires 4.5 in. (115 mm) Vertical Clearance.

VALVE ASSEMBLY WEIGHTS

SIZE		LBS	KGS
in.	DN		
1/2	15	3.8	1.7
3/4	20	5.3	2.4
1	25	7.3	3.3

ACTUATOR WEIGHTS

TYPE	Lbs	Kgs
32	10	4.5
54	25	11.3
70	34	15.4
9000	27	12

This product may be covered under one or more of the following patents 4,434,965 or under pending patent applications.

The Emerson logo is a trademark and service mark of Emerson Electric Co. FIELDVUE and FloVue are marks owned by Baumann Inc., Fisher Controls International, Inc. or Fisher-Rosemount Systems, Inc. All other marks are the property of their respective owners.

The contents of this publication are presented for informational purposes only, and while every effort has been made to ensure their accuracy, they are not to be construed as warranties or guarantees, express or implied, regarding the products or services described herein or their use or applicability. We reserve the right to modify or improve the designs or specifications of such products at any time without notice.

Baumann Inc.
35 Mirona Road
Portsmouth, NH 03801
T 1(603) 436-2044
F 1(603) 436-4901

BAUMANN INC.
Subsidiary of Fisher Controls International, Inc.